

THIS DRAWING IS UNPUBLISHED.

RELEASED FOR PUBLICATION

© COPYRIGHT -

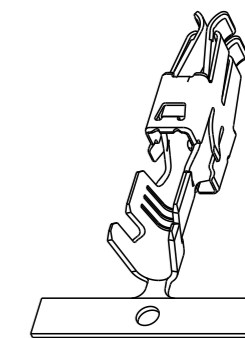
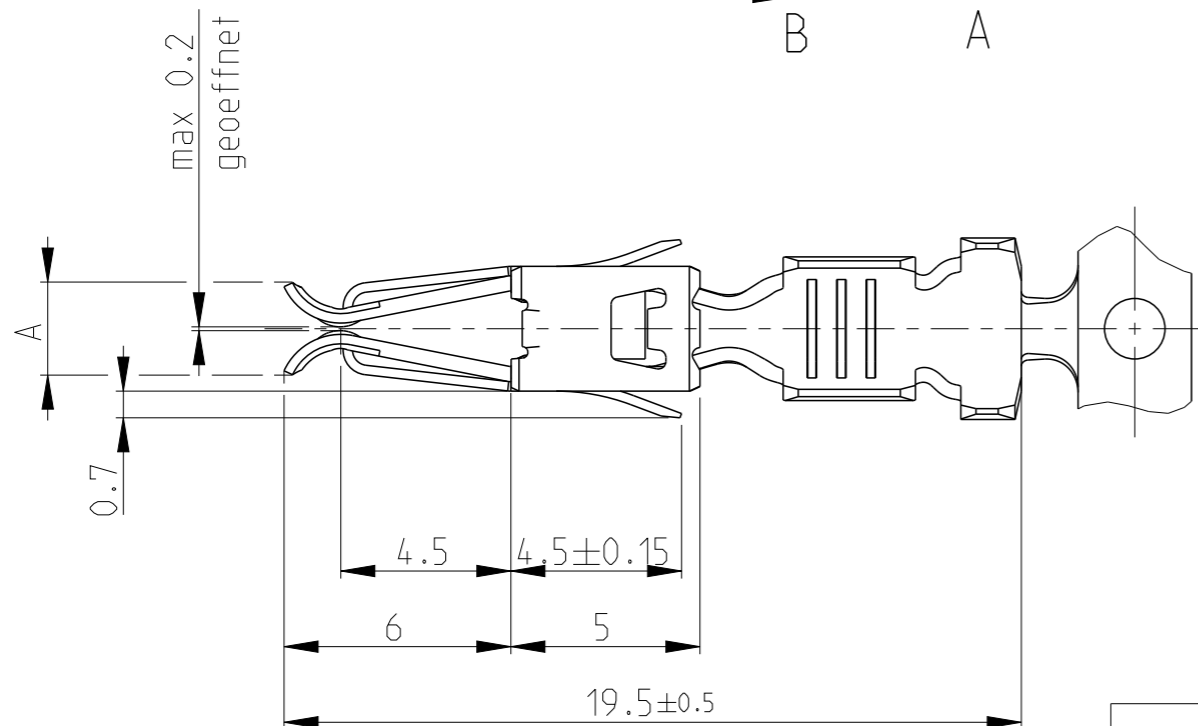
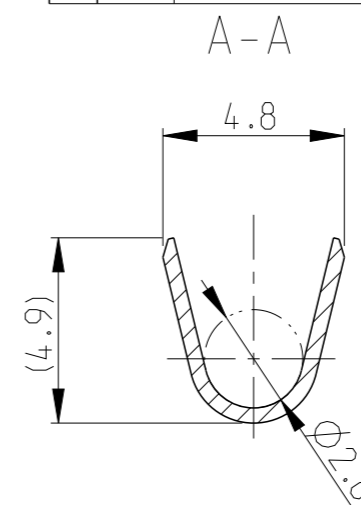
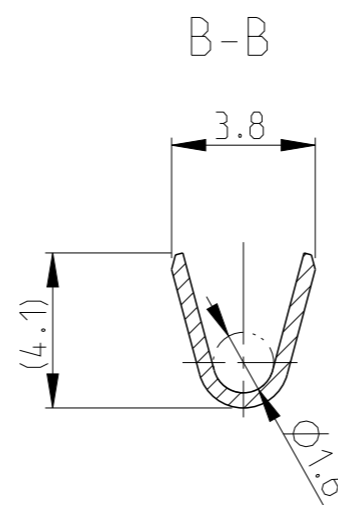
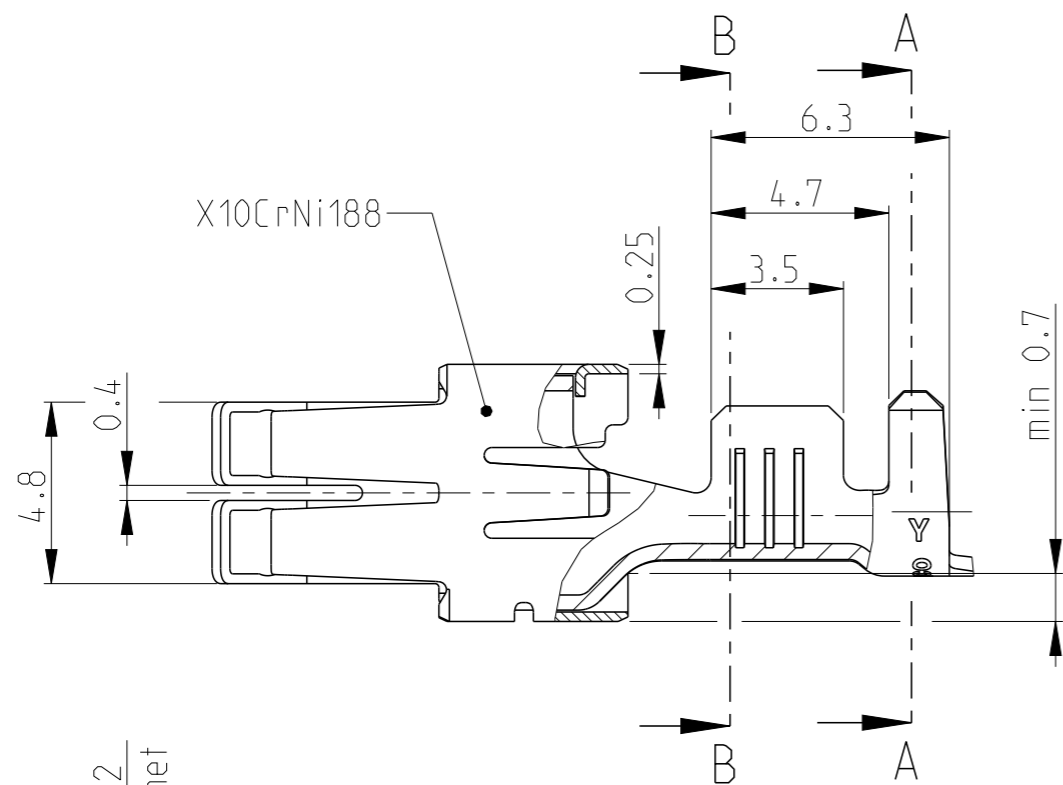
ALL RIGHTS RESERVED.

LOC
A1

DIST
-

REVISIONS

P	LTR	DESCRIPTION	DATE	DWN	APVD
C2		REVISED PER ECO-11-005150	31MAR2011	RK	HMR
C3		ECR-14-007191	17JUL2014	SK	JS
C4		ECR-14-017645	28NOV2014	SK	JP
C5		ECR-16-004045	24MAR2016	KD	RR



2:1

Notes

- 1 OBSOLETE
- 2 PRELIMINARY - NOT RELEASED FOR PRODUCTION
- 3 ONLY FOR 964203-6 DIMENSION HAVE TO FOLLOW SHEET 2
- INSULATION RANGE: $\varnothing 2.7-3.7$
- INSULATION BARREL DIMENSION

INSUL. RANGE $\varnothing 2.2-3.0$ mm	WIRE RANGE >1-2.5 mm ²
---	---

2.5	1	1241826-5	vorversilbert/PRESILVERED	CuFe2	964203-5	C
2.5	1	1241826-4	vorversilbert/PRESILVERED 1-1.5 μ m	CuSn4	964203-4	C
2.5	1	1241826-3	vorversilbert/PRESILVERED 3-4.5 μ m	CuSN4	964203-3	C
2.5	1	1241826-2	vorverzinkt/PRETINNED	CuSN4	964203-2	C
2.5	1	1241826-1	vorverzinkt/PRETINNED	CuFe2	964203-1	C
A		LP NO	FINISH	MATERIAL	PART NO.	REV

THIS DRAWING IS A CONTROLLED DOCUMENT.

DIMENSIONS: mm	TOLERANCES UNLESS OTHERWISE SPECIFIED: ± 0.2
	0 PLC \pm 1 PLC \pm 2 PLC \pm 3 PLC \pm 4 PLC \pm ANGLES $\pm 1^\circ$
MATERIAL	FINISH

DWN	ATZMANN	06.01.94
CHK	BARTOSCH	18.01.94
APVD	Bleicher, M.	28.11.07
PRODUCT SPEC	108-18025	
APPLICATION SPEC	114-18037	
WEIGHT	0.82 g	



STANDARD POWER TIMER KONTAKT
(Gerade Tulpe)

SIZE	CAGE CODE	DRAWING NO	RESTRICTED TO
A3	00779	964203	-
Customer Drawing	SCALE	SHEET	REV
	5:1	1 OF 2	C5

THIS DRAWING IS UNPUBLISHED.

RELEASED FOR PUBLICATION

© COPYRIGHT -

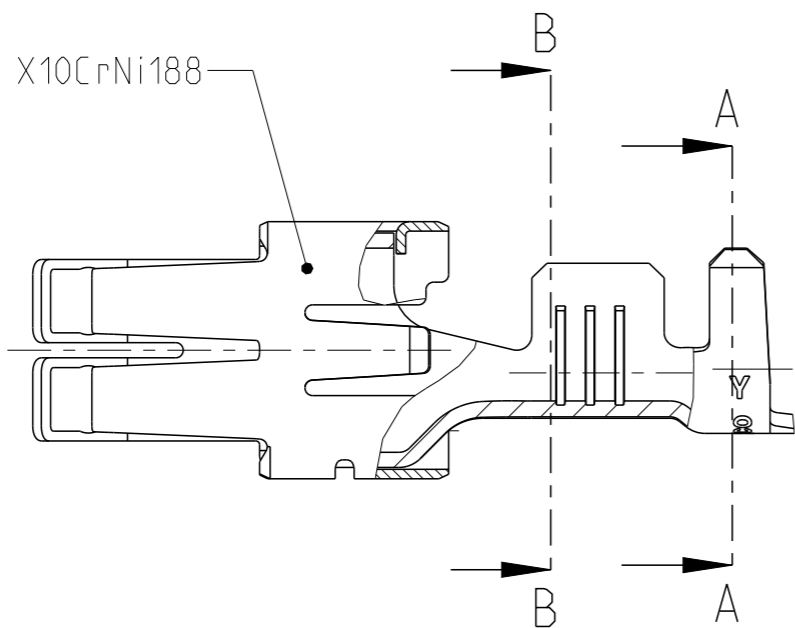
ALL RIGHTS RESERVED.

LOC DIST

REVISIONS

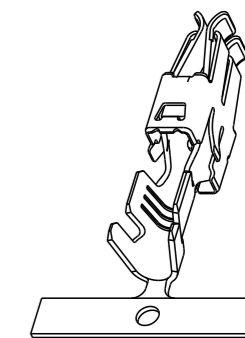
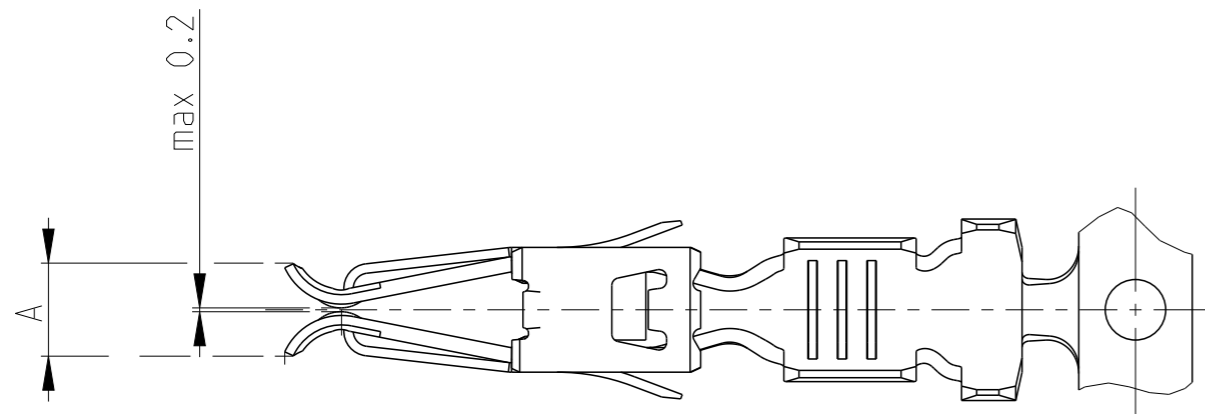
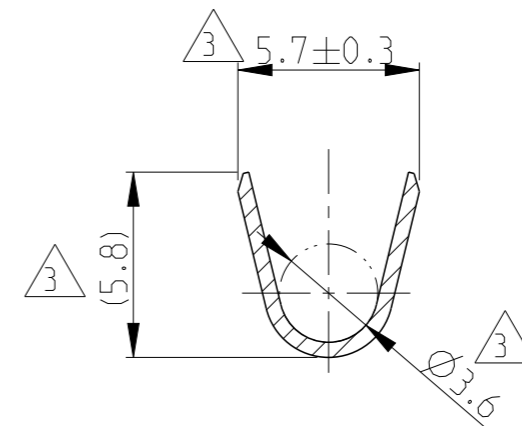
P	LTR	DESCRIPTION	DATE	DWN	APVD
-	-	SEE SHEET 1	-	-	-

ONLY FOR 964203-6
OTHER DIMENSIONS SEE SHEET 1



B-B

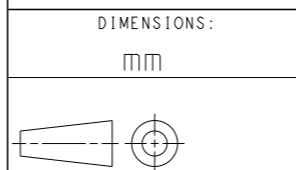
A-A



2:1

INSUL. RANGE Ø2.7-3.7 mm	WIRE RANGE >1-2.5 mm ²	2.3±0.15	-	PRETINNED	CuSn4	2 3 964203-6	C
A		LP NO	FINISH	MATERIAL	PART NO.	REV	

THIS DRAWING IS A CONTROLLED DOCUMENT.



DIMENSIONS:	TOLERANCES UNLESS OTHERWISE SPECIFIED:
mm	
0 PLC	±
1 PLC	±
2 PLC	±0.2
3 PLC	±
4 PLC	±
ANGLES	±1°
MATERIAL	FINISH
-	-

DWN	ATZMANN	06.01.94
CHK	BARTOSCH	18.01.94
APVD	Bleicher, M.	28.11.07
PRODUCT SPEC	108-18025	
APPLICATION SPEC	114-18037	
WEIGHT	0.82 g	

TE Connectivity				NAME		STANDARD POWER TIMER KONTAKT (Gerade Tulpe)	
				SIZE	CAGE CODE	DRAWING NO	RESTRICTED TO
A3		00779	C=964203				-

Customer Drawing	SCALE	5:1	SHEET	2 OF 2	REV	C5
------------------	-------	-----	-------	--------	-----	----